

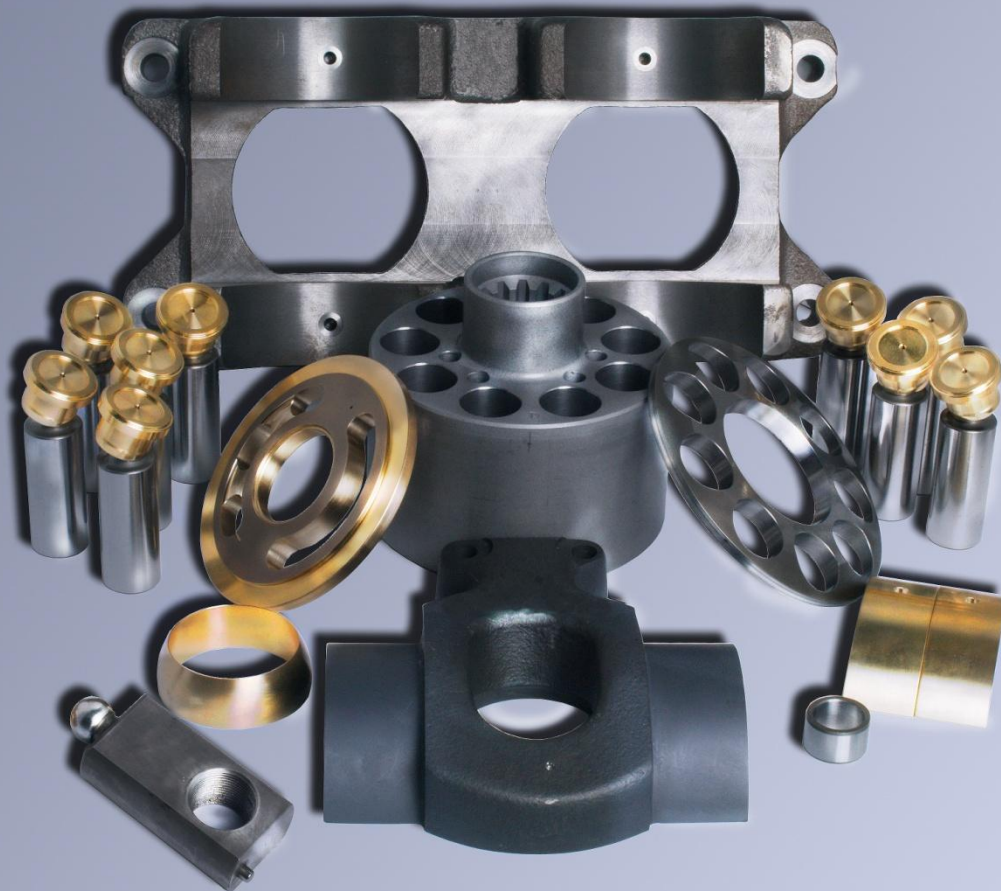
## Hydraulic Parts, **SBS80** Parts



### Release New Product

#### Release New Product

Greeting! It is our pleasure to inform you New Product “**SBS80**”.  
KJC inform you that the following **SBS80** has been released.  
Please feel free to contact us if you have any inquiry.



### Contact us

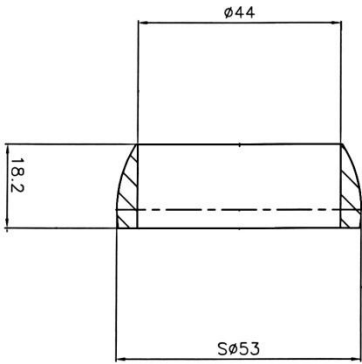


Website : [www.kjchdraulic.com](http://www.kjchdraulic.com)

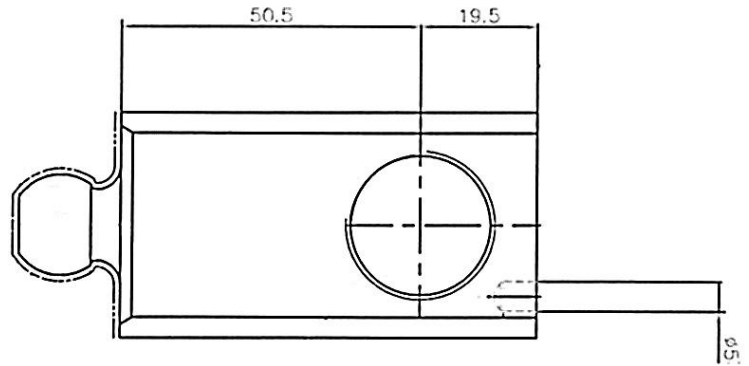
Email : [kjc@kjchdraulic.com](mailto:kjc@kjchdraulic.com)

Phone : +82 31 409 0746

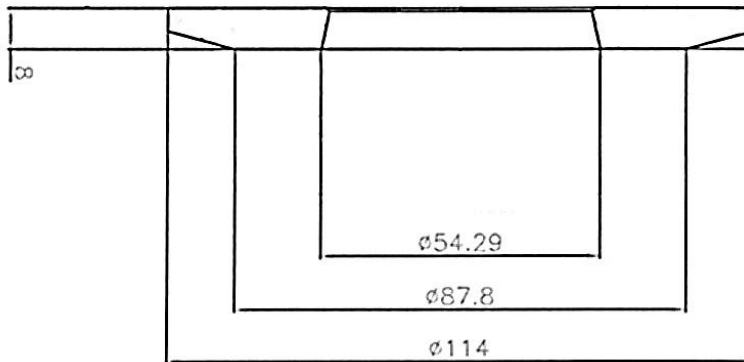
Fax : +82 31 409 5290



Ball Guide



Tilting Pin Assy



Set Plate

## Contact us

Website : [www.kjchdraulic.com](http://www.kjchdraulic.com)

Email : [kjc@kjchdraulic.com](mailto:kjc@kjchdraulic.com)

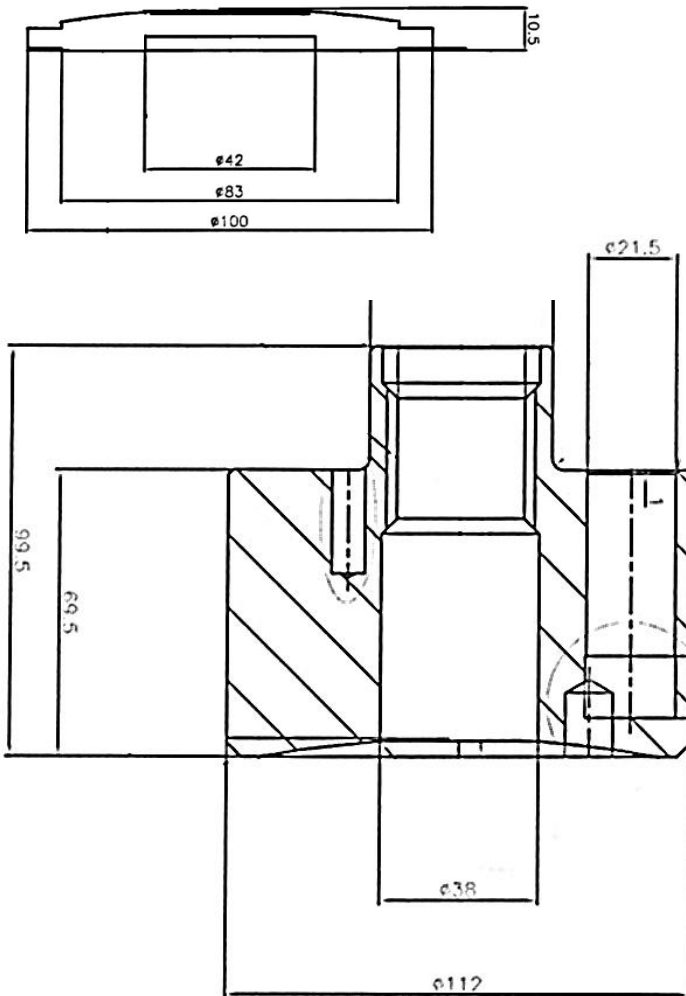
Phone : +82 31 409 0746

Fax : +82 31 409 5290

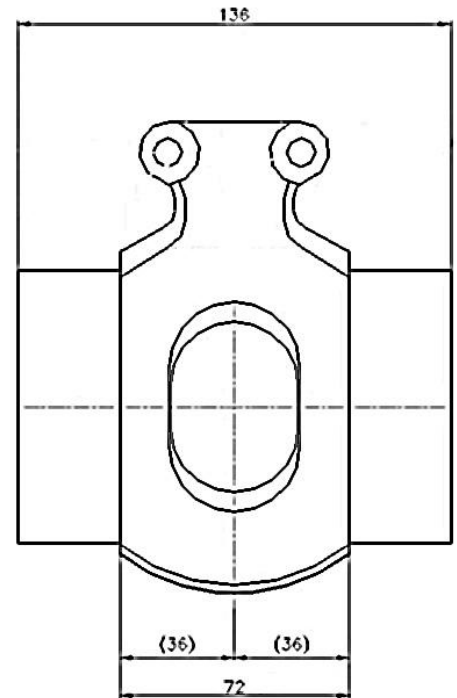
## Hydraulic Parts, **SBS80** Parts



### Valve Plate



### Cylinder Block



### Cam Rocker

#### **OTHER PRODUCT.**

- BEARING BUSH
- SLIDING BEARING
- CRADLE

## Contact us

Website : [www.kjchdraulic.com](http://www.kjchdraulic.com)

Email : [kjc@kjchdraulic.com](mailto:kjc@kjchdraulic.com)

Phone : +82 31 409 0746

Fax : +82 31 409 5290

