

Hydraulic Parts, M5X130 & M5X180 Parts



Release New Product

Release New Product

Greeting!

It is our pleasure to inform you New Product “ M5X130& M5X180”.

Please feel free to contact us if you have any inquiry.

M5X130 & M5X180

- * CYLINDER BLOCK
- * VALVE PLATE
- * PISTON ASSY (9PCS/SET)
- * SET PLATE/SET SPRING
- * SHOE PLATE
- * DRIVE SHAFT
- * FRICTION PLATE
- * SEPARATION PLATE



Contact us



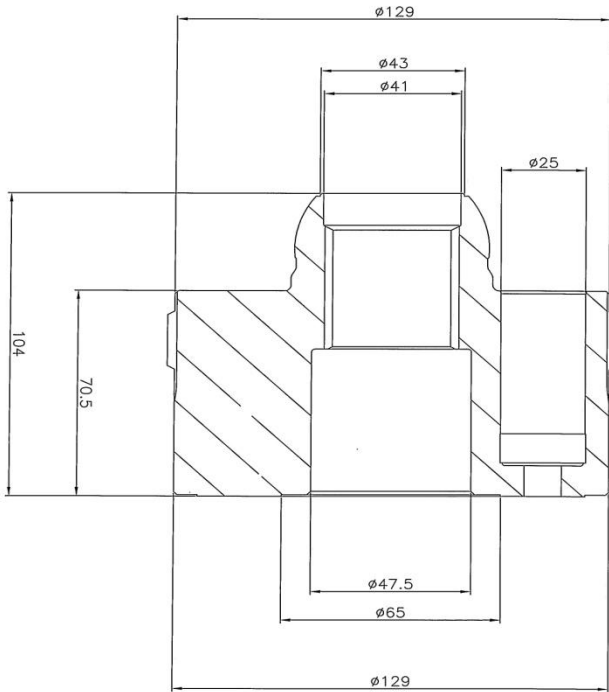
Website : www.kjchdraulic.com

Email : kjc@kjchdraulic.com

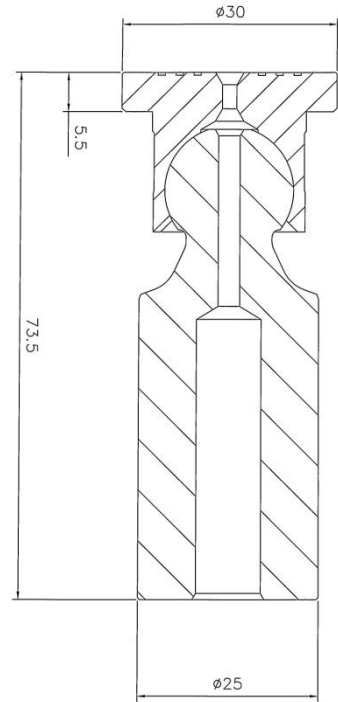
Phone : +82 31 409 0746

Fax : +82 31 409 5290

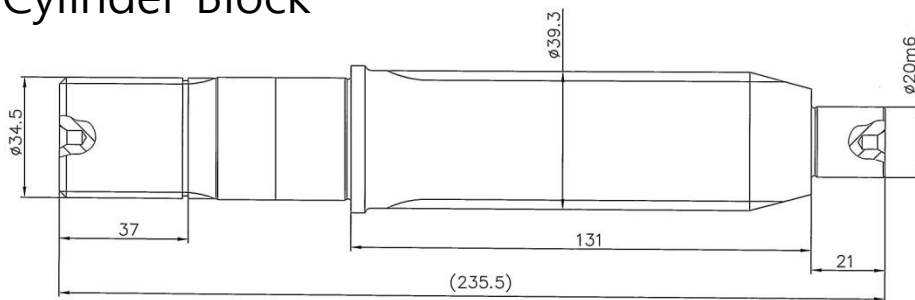
Hydraulic Parts, M5X130 Parts



Cylinder Block



Piston Assy



Drive Shaft

Contact us



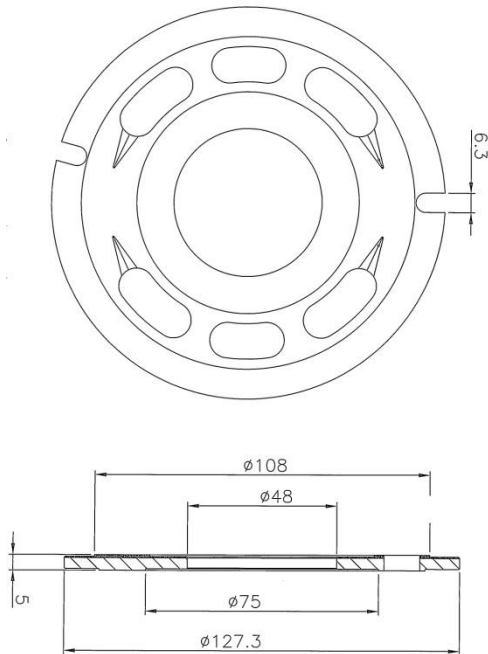
Website : www.kjchdraulic.com

Email : kjc@kjchdraulic.com

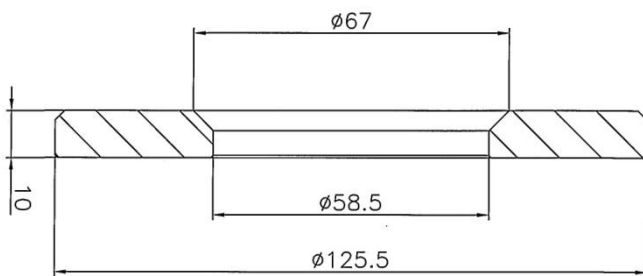
Phone : +82 31 409 0746

Fax : +82 31 409 5290

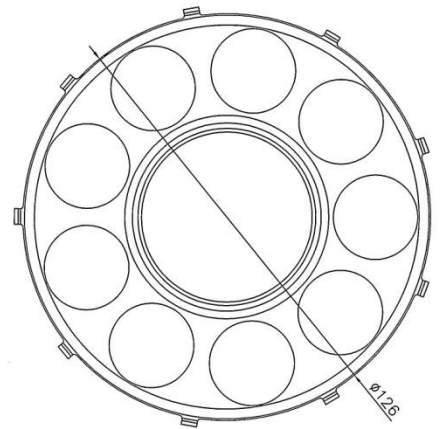
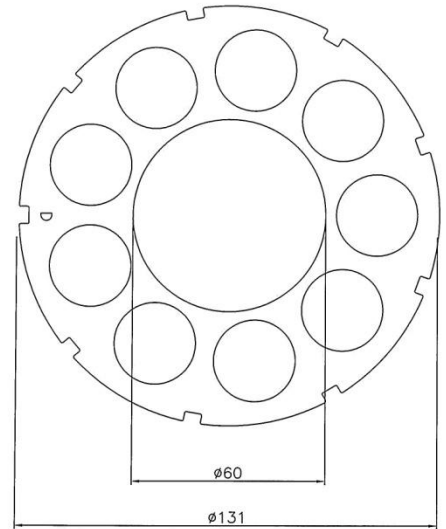
Hydraulic Parts, M5X130 Parts



Valve Plate



Shoe Plate



Set plate / Spring

Contact us

Website : www.kjchdraulic.com

Email : kjc@kjchdraulic.com

Phone : +82 31 409 0746

Fax : +82 31 409 5290

