

Hydraulic Parts, **MAG170VP** Parts



Release New Product

Release New Product

Good to see you again! It is our pleasure to inform you of New Product, **MAG170VP**. This is informed that the following **MAG170VP** has been released. Please do not hesitate to contact us, if you have any inquiry or further information.



Contact us

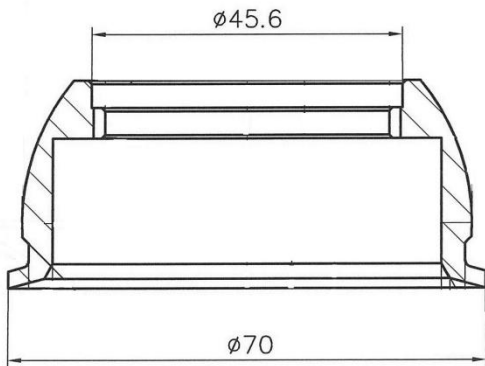


Website : www.kjchdraulic.com

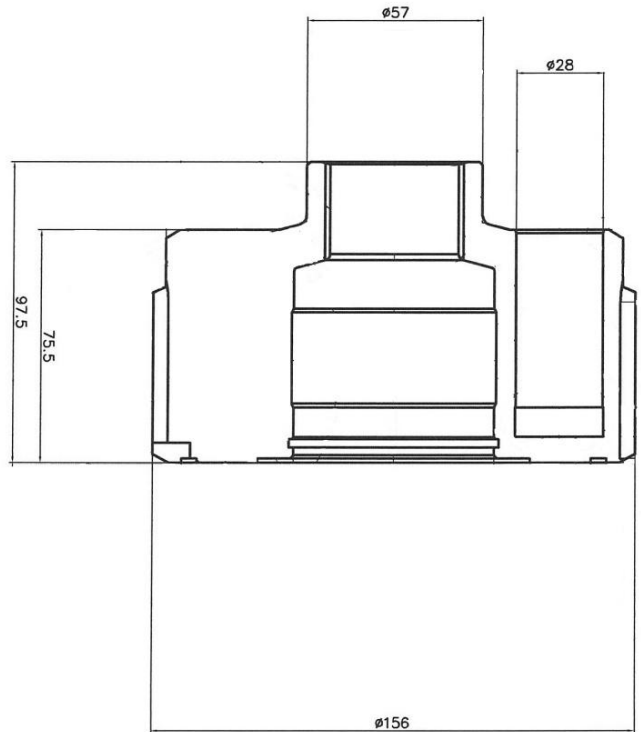
Email : kjc@kjchdraulic.com

Phone : +82 31 409 0746

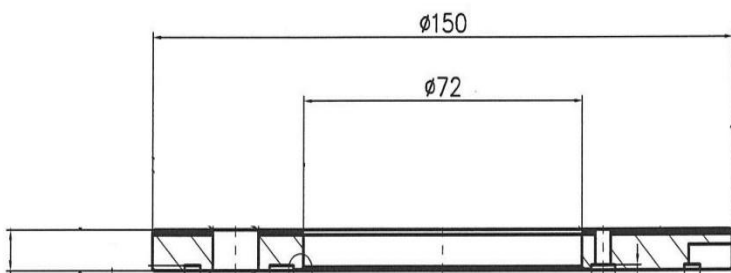
Fax : +82 31 409 5290



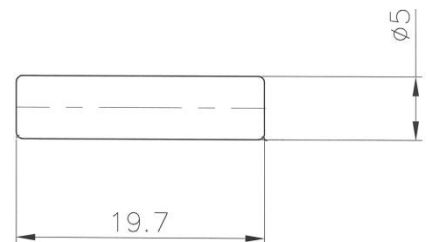
BALL GUIDE



CYLINDER BLOCK



VALVE PLATE



PIN OF CYLINDER BLOCK

Contact us

Website : www.kjchdraulic.com

Email : kjc@kjchdraulic.com

Phone : +82 31 409 0746

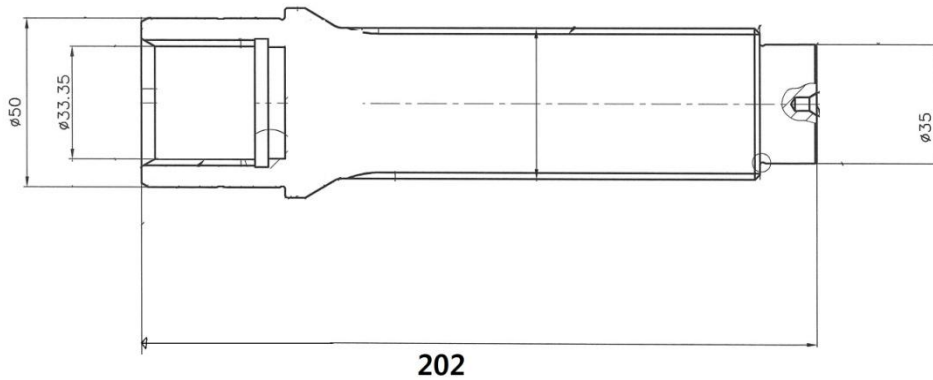
Fax : +82 31 409 5290

KJC- Bulletin

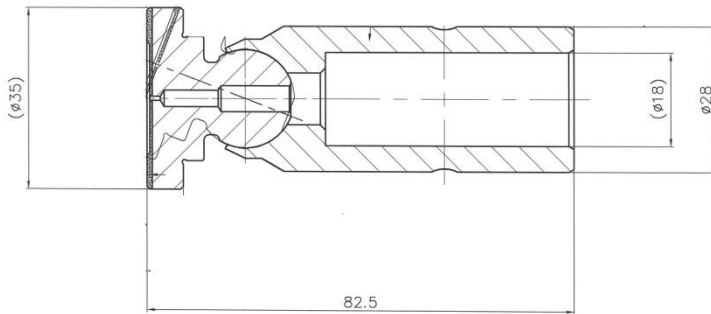
Issue 06 Feb 2014



Hydraulic Parts, **MAG170VP** Parts

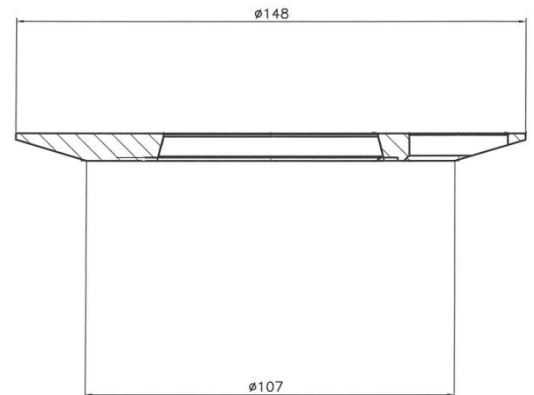


DRIVE SHAFT



PISTON

SET PLATE



Contact us

Website : www.kjchdraulic.com

Email : kjc@kjchdraulic.com

Phone : +82 31 409 0746

Fax : +82 31 409 5290